

List technických údajov Collecting clamp GRIP "M" 15



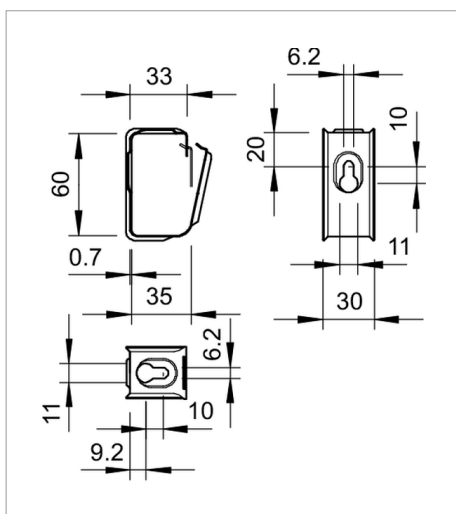
Metal collecting clamp for high mechanical stability, even in case of fire. Halogen-free, fireproof, therefore approved for mounting above fire protection ceilings. Also approved as a cable-specific variant for electrical function maintenance to DIN 4102 Part 12. You can find detailed information on the subject of fire protection in the OBO BSS fire protection catalogue.

Type	Box quantity	Pack. pcs	Weight kg/100 pcs.	Obj. č.
2031 M 15 FS	50	50	3.700	2207028

St Steel

FS Strip-galvanised

price



Popis

2031 M/15	Grip, bus holder 2031 M 15 FS Brand OBO BETTERMANN Type: 2031 M 15 FS Item No.: 2207028 Unit pcs
------------------	---

Legenda



OBO Grip, wall routing type



OBO Grip, ceiling routing type



Communautés Européennes, EC declaration of conformity according to EC directives