



## ■ Features

- 180~295VAC input range
- Built-in active PFC function
- No load power consumption <0.5W
- Fanless design, cooling by free air convection
- IP65 design for indoor or outdoor installations
- Protections: Short circuit / Over current / Over voltage / Over temperature
- Suitable for dry / damp / wet locations
- 5 years warranty(Note.8)

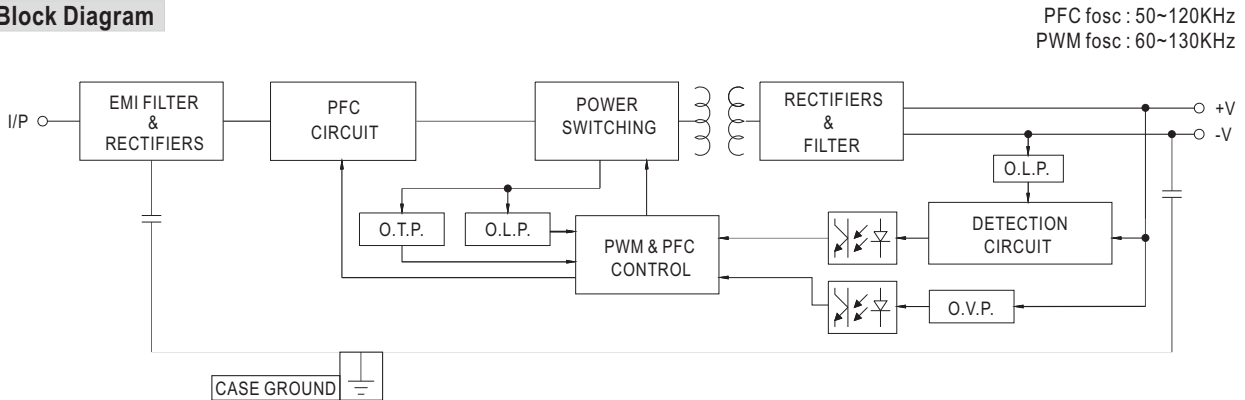
## ■ Applications

- LED street lighting
- LED harbor lighting
- LED bay lighting
- LED floodlighting

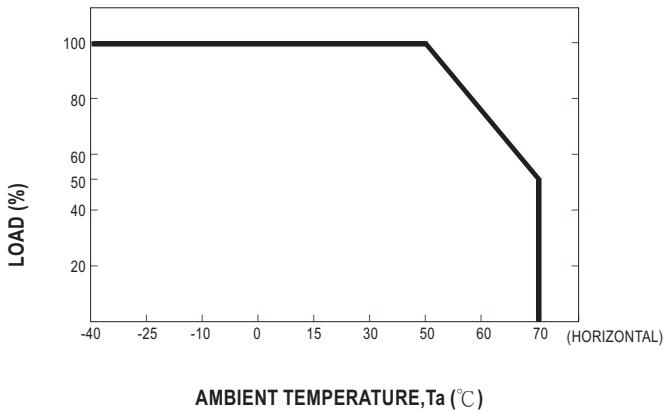
**SPECIFICATION**

MODEL		ELG-150-12APL
OUTPUT	DC VOLTAGE	12V
	CONSTANT CURRENT REGION <small>Note.4</small>	6 ~ 12V
	RATED CURRENT	11A
	RATED POWER	132W
	RIPPLE & NOISE (max.) <small>Note.2</small>	150mVp-p
	VOLTAGE ADJ. RANGE	10.8 ~ 13.2V
	CURRENT ADJ. RANGE	5 ~ 11A
	VOLTAGE TOLERANCE <small>Note.3</small>	±3.0%
	LINE REGULATION	±0.5%
	LOAD REGULATION	±2.0%
	SETUP, RISE TIME <small>Note.6</small>	500ms, 100ms at 95% load 230VAC
HOLD UP TIME (Typ.)	10ms at 95% load 230VAC	
INPUT	VOLTAGE RANGE <small>Note.5</small>	180 ~ 295VAC 255 ~ 417VDC
	FREQUENCY RANGE	47 ~ 63Hz
	POWER FACTOR	PF ≥ 0.95/230VAC PF ≥ 0.92/277VAC at full load
	TOTAL HARMONIC DISTORTION	THD < 20% when output loading ≥ 50% at 230VAC input and output loading ≥ 75% at 277VAC input
	EFFICIENCY (Typ.)	88%
	AC CURRENT	0.9A / 230VAC 0.7A/277VAC
	INRUSH CURRENT(Typ.)	COLD START 65A(twidth=550μs measured at 50% Ipeak) at 230VAC
	MAX. No. of PSUs on 16A CIRCUIT BREAKER	3 units (circuit breaker of type B) / 6 units (circuit breaker of type C) at 230VAC
PROTECTION	LEAKAGE CURRENT	<0.75mA / 277VAC
	OVER CURRENT	95 ~ 108% Protection type : Constant current limiting, recovers automatically after fault condition is removed
	SHORT CIRCUIT	Hiccup mode, recovers automatically after fault condition is removed
	OVER VOLTAGE	14 ~ 18V Protection type : Shut down o/p voltage, re-power on to recovery
ENVIRONMENT	OVER TEMPERATURE	Shut down o/p voltage, re-power on to recovery
	WORKING TEMP.	-40 ~ +70°C (Refer to "Derating Curve")
	MAX. CASE TEMP.	Tcase=+90°C
	WORKING HUMIDITY	20 ~ 95% RH non-condensing
	STORAGE TEMP., HUMIDITY	-40 ~ +80°C, 10 ~ 95% RH
SAFETY & EMC	TEMP. COEFFICIENT	±0.03%/°C (0 ~ 50°C)
	VIBRATION	10 ~ 500Hz, 5G 12min./1cycle, period for 72min. each along X, Y, Z axes
	WITHSTAND VOLTAGE	I/P-O/P:3.75KVAC I/P-FG:2.0KVAC O/P-FG:1.5KVAC
	ISOLATION RESISTANCE	I/P-O/P, I/P-FG, O/P-FG:100M Ohms / 500VDC / 25°C / 70% RH
OTHERS	EMC EMISSION	Refer to EN55015, EN61000-3-2 Class C (≥ 50% loading) ; EN61000-3-3
	EMC IMMUNITY	Refer to EN61000-4-2,3,4,5,6,8,11; EN61547, light industry level (surge 6KV), criteria A
	MTBF	313.66Khrs min. MIL-HDBK-217F (25°C)
NOTE	DIMENSION	219*63*35.5mm (L*W*H)
	PACKING	0.88Kg ; 16pcs/15.4kg/0.77CUFT
<p>1. All parameters NOT specially mentioned are measured at 230VAC input, rated load and 25°C of ambient temperature. 2. Ripple &amp; noise are measured at 20MHz of bandwidth by using a 12" twisted pair-wire terminated with a 0.1uF &amp; 47uF parallel capacitor. 3. Tolerance : includes set up tolerance, line regulation and load regulation. 4. Please refer to "DRIVING METHODS OF LED MODULE". 5. Derating may be needed under low input voltages. Please check the static characteristics for more details. 6. Length of set up time is measured at cold first start. Turning ON/OFF the power supply may lead to increase of the set up time. 7. The power supply is considered as a component that will be operated in combination with final equipment. Since EMC performance will be affected by the complete installation, the final equipment manufacturers must re-qualify EMC Directive on the complete installation again. 8. Refer to warranty statement.</p>		

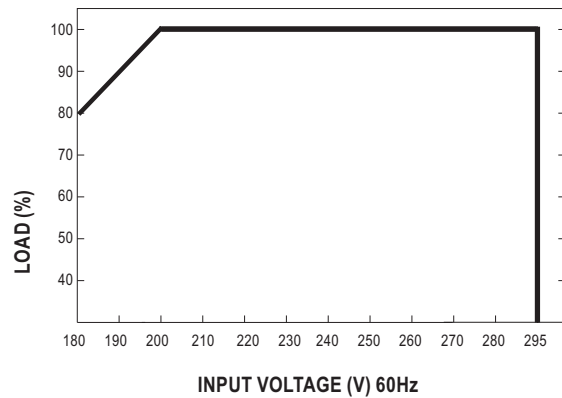
■ Block Diagram



■ Derating Curve

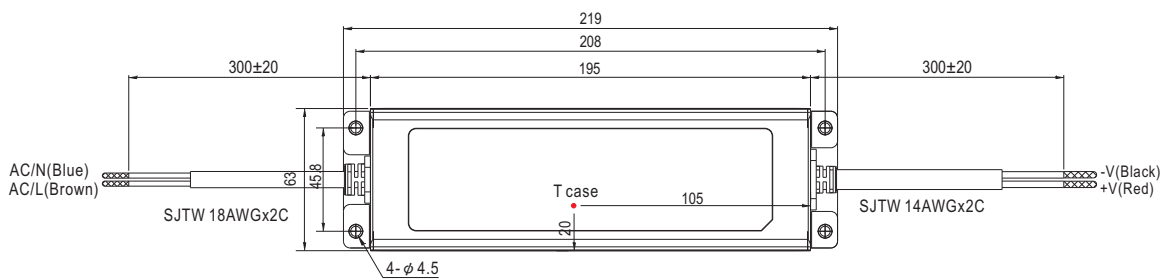


■ Static Characteristics



■ Mechanical Specification

CASE NO.: 237A Unit:mm



※ T case: Case Temperature.

